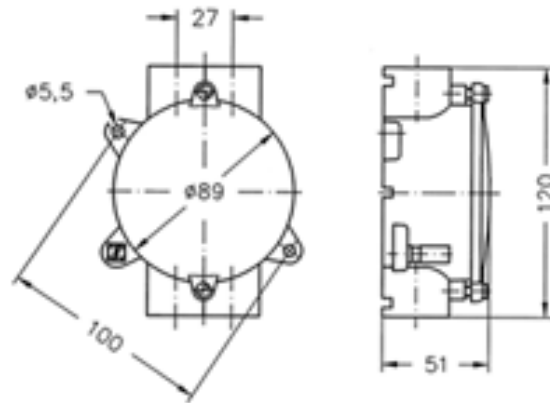


TERMINAL BOX 971623302SM 2.5 mm<sup>2</sup>, 400 V, IP 68, MARINE MODEL  
Product no: **971623302SM**

- Based on 72 192 10 (16 233 02), Model 1604 / 10 but now in RAL-7035 color
- Equipped with one SKINTOP type of entry (cable. diameter 10-14mm). IP68
- Box IK08
- Cover and Box RAL-7035, QN-quality
- Country Of Origin = Finland
- Water-tight rubber pushbutton. The pushbutton is protected against external impacts.
- With acid-resistant cover screws.
- Round boxes, inner Ø 80 mm.
- With 5-pole plastic terminal block. Ground terminal 2.5mm<sup>2</sup>.



Picture of 971623302SM

### Selcast Oy

Kilantie 19 (BOX 36)  
10300 KARJAA (10301 KARJAA)  
FINLAND  
+358 19 278 5800  
www.selcast.fi selcast@selcast.fi